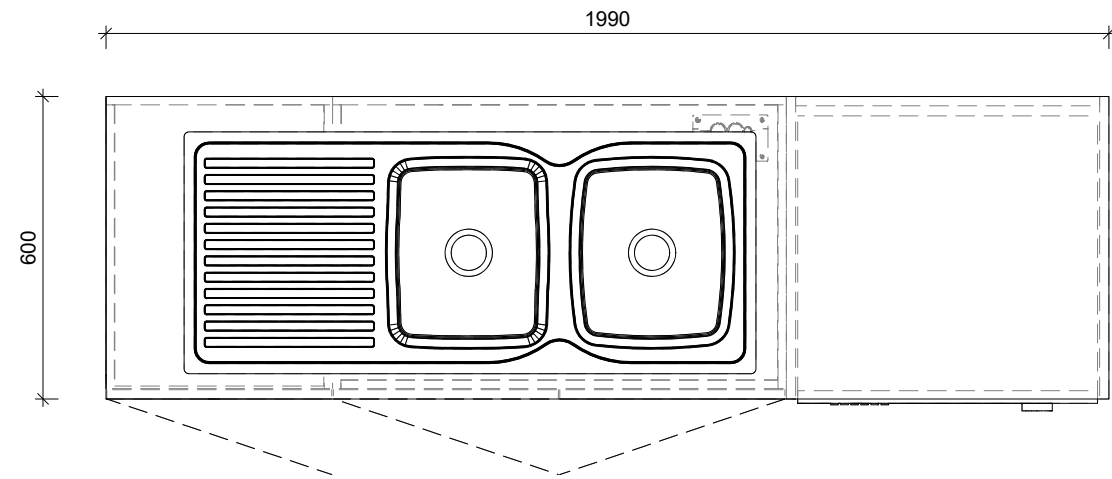
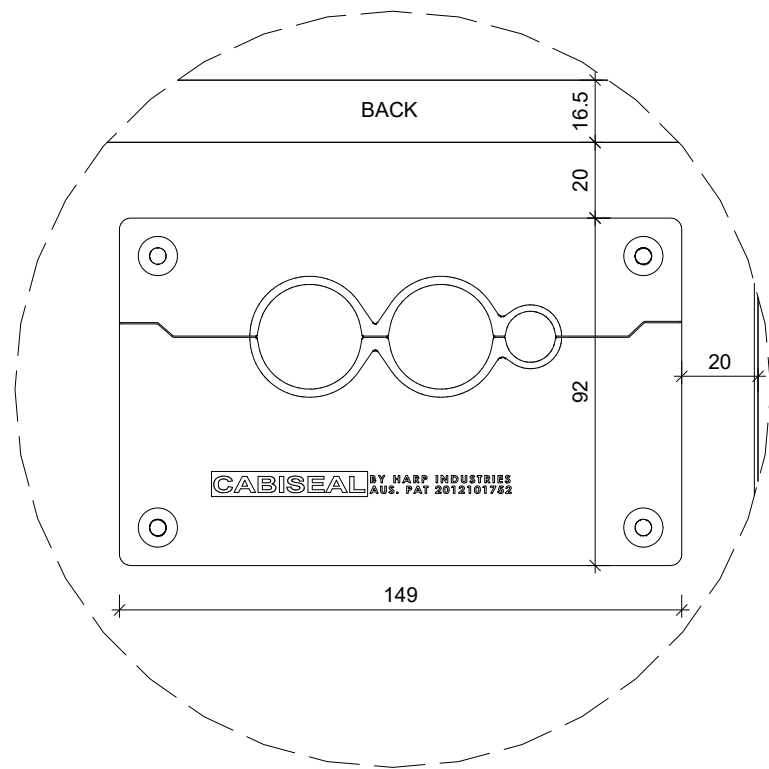
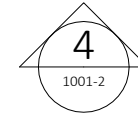


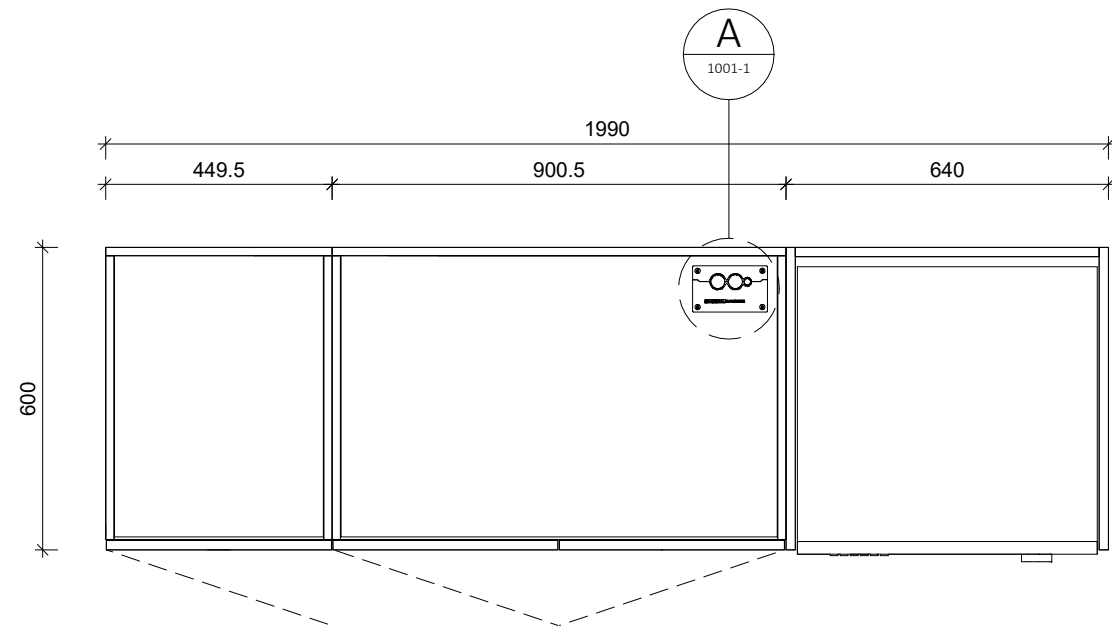
1
1001-1
AXONOMETRIC
Scale - NTS @ A3



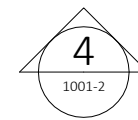
2
1001-1
ELEVATION
Scale - 1: 15 @ A3

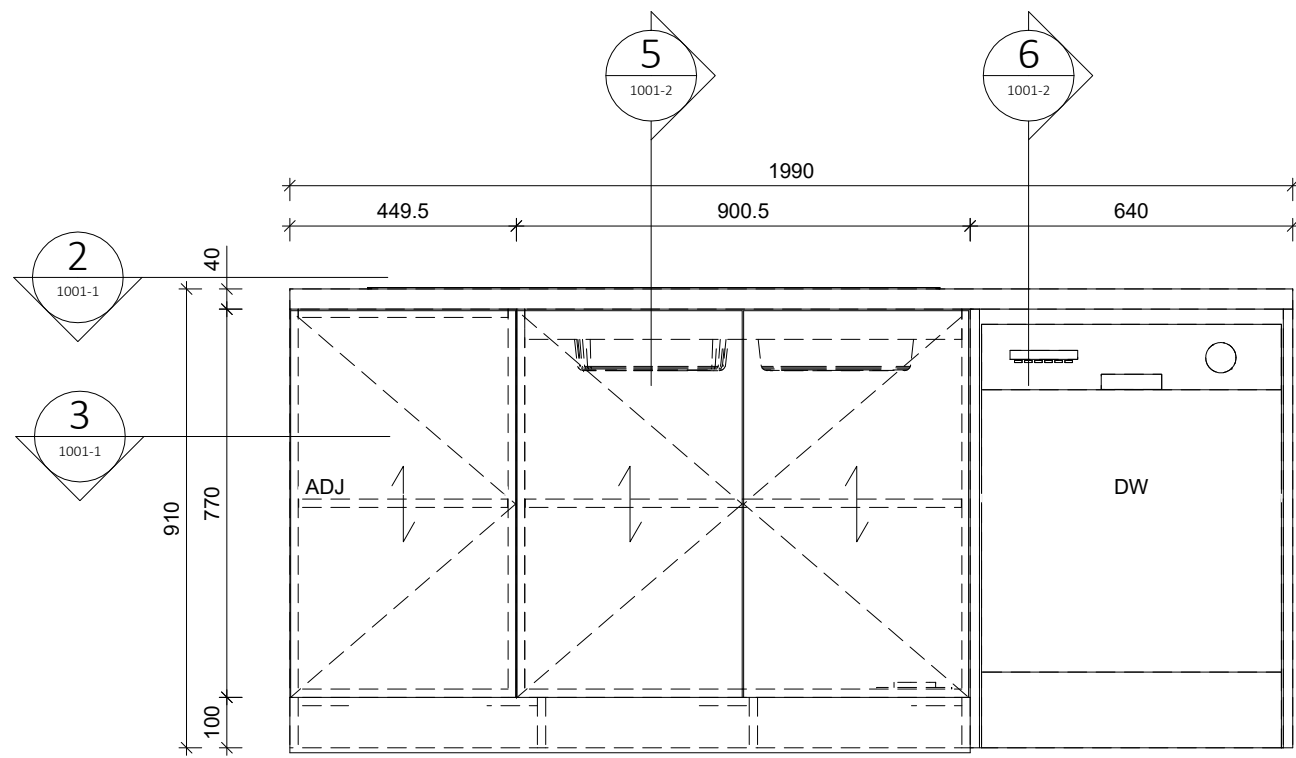


A
1001-1
DETAIL
Scale - 1: 2 @ A3

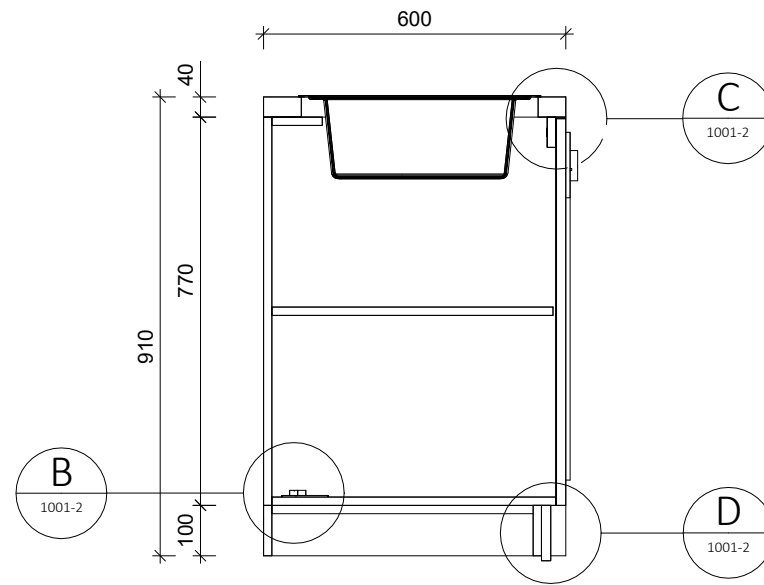


3
1001-1
ELEVATION
Scale - 1: 15 @ A3

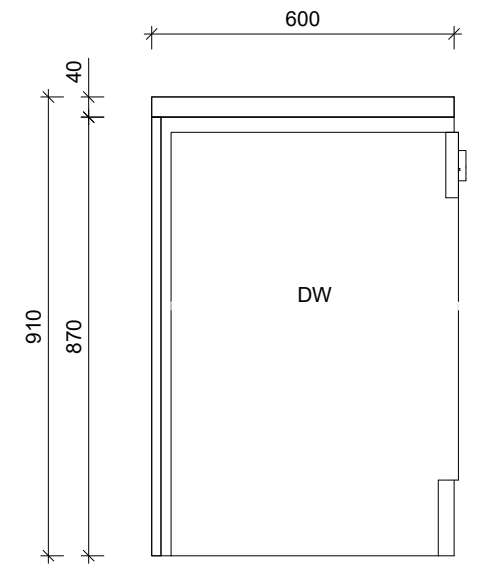




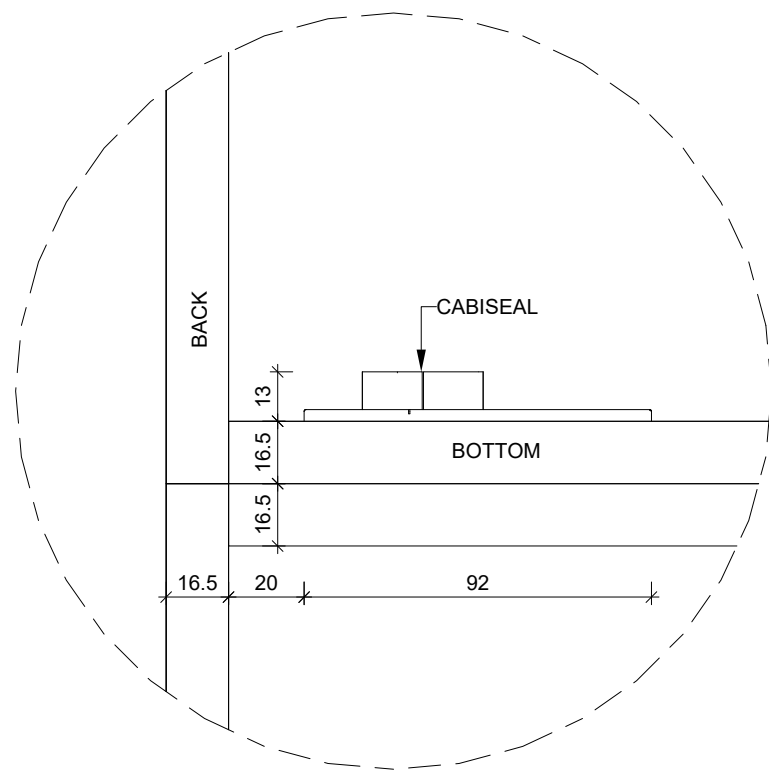
4 ELEVATION
 Scale - 1: 15 @ A3



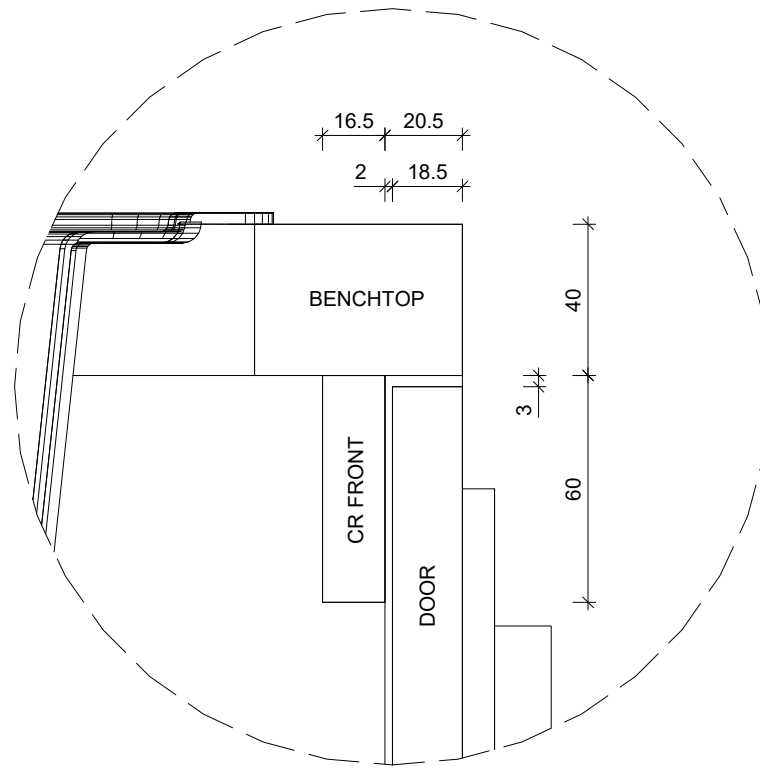
5 ELEVATION
 Scale - 1: 15 @ A3



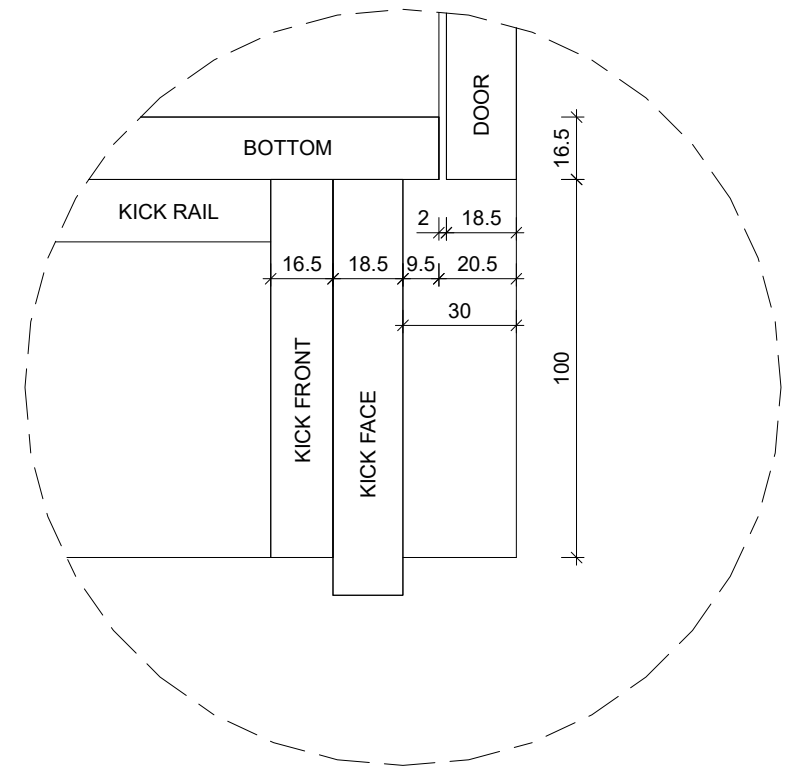
6 ELEVATION
 Scale - 1: 15 @ A3



B DETAIL
 Scale - 1: 2 @ A3



C DETAIL
 Scale - 1: 2 @ A3



D DETAIL
 Scale - 1: 2 @ A3